



**PROFESSIONAL  
THINKING**

# PRODUCT SHEET EKF 711.3 E UD

TECNOEKA SRL - VIA MARCO POLO, 11 - 35010 BORGORICCO - PADOVA - ITALY - TEL. +39 049 5791479 +39 049 9300344 - FAX +39 049 5794387 - E-MAIL: INFO@TECNOEKA.COM - WWW.TECNOEKA.COM - WWW.TECNOEKA.RU

## EKF 711.3 E UD - ELECTRONIC COMBI OVEN 7 TRAYS/GRIDS 1/1 GN

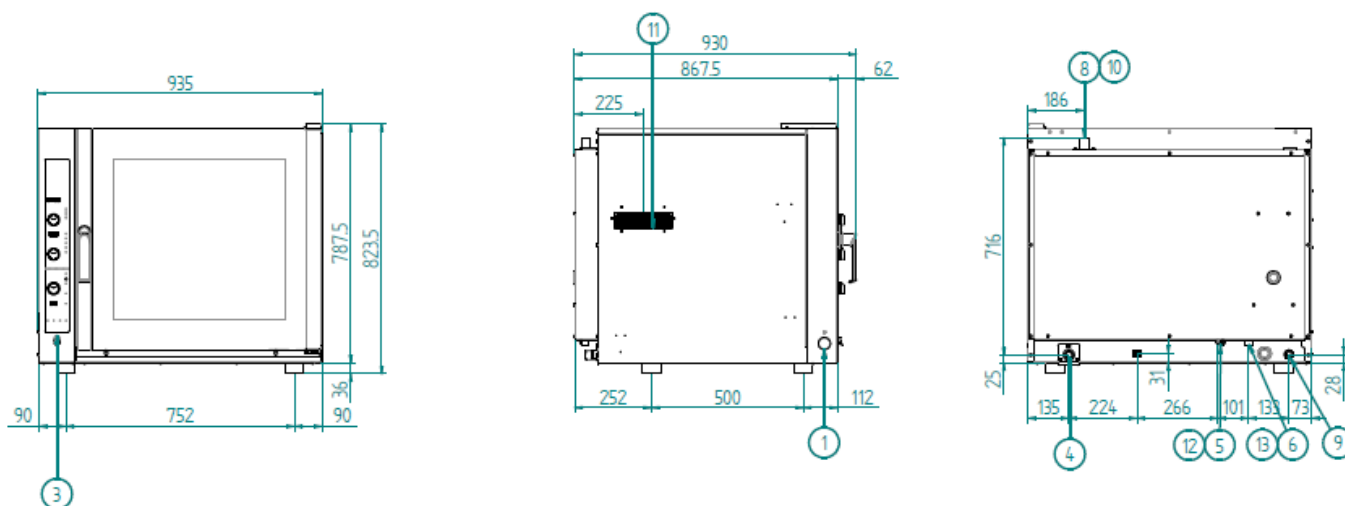
EKA EVOLUTION LINE

COOKING



An oven that combines power, design and technology, put together specially for chefs wanting to give customers a light, healthy and, at the same time, innovative alternative to the fried dishes that are such an important part of ethnic and traditional cuisine.

High-powered heating elements, a double-glazed tempered glass door that can be opened for inspection and a control panel with easy-to-read indicator LEDs are just some of the distinguishing features of this model designed for the food service and delicatessens.



LEGEND

1	USB PORT	11	DON'T CLOG UP VENTILATION OPENINGS
2	SERIAL PORT	12	WATER INLET MAX. 200 kPa
3	PLUG FOR CORE PROBE	13	SOFTENED WATER INLET MAX 200 kPa
4	WATER OUTLET TUBE	14	BOILER CLEANING INLET
5	WASHING WATER INLET	15	DON'T OPEN CAP WHILE WORKING
6	SOFTENED WATER INLET	16	GAS INLET THREADED JOINT 3/4"
7	WATER INLET	17	POWER SUPPLY TO TOP OVEN
8	STEAM OUTLET	18	PRE-CARVED HOLE FOR BOTTOM OVEN POWER SUPPLY
9	ELECTRIC CABLE FIXER	19	STEAM SUCTION PIPE
10	CAUTION! HOT SURFACE		



DIMENSIONAL FEATURES				FUNCTIONAL FEATURES				
<b>DIMENSIONS</b>	<b>W</b>	<b>D</b>	<b>H</b>	POWER	ELECTRICITY			
OVEN DIMENSIONS (WxDxH mm)	935	930	825	CAPACITY	N° 7 TRAYS/GRIDS 1/1 GN			
CARDBOARD BOX DIMENSIONS WITH PALLET (WxDxH mm)	1000	990	990	TYPE OF COOKING	VENTILATED			
OVEN DIMENSIONS (inches)	36,81	36,61	32,48	STEAM (see legend)	DIRECT STEAM CONTROLLED BY KNOB WITH DISPLAY (10 LEVELS)			
CARDBOARD BOX DIMENSIONS WITH PALLET (inches)	39,37	38,97	38,97	COOKING CHAMBER	AISI 430 STAINLESS STEEL			
OVEN WEIGHT (kg)	96,2			WATER OUTLET	Ø 30mm TUBE			
PACKED OVEN WEIGHT (kg)	114			STEAM OUTLET	DIRECT			
OVEN WEIGHT (lbs)	212,08			TEMPERATURE	50 ± 270°C			
PACKED OVEN WEIGHT (lbs)	251,32			TEMPERATURE CONTROL	DIGITAL PROBE THERMOMETER			
DISTANCE BETWEEN RACK RAILS (mm)	68			CONTROL PANEL	ELECTRONIC – LEFT SIDE			
FAN DIMENSION (mm)	Ø 198 - NR. 45 BLADES			N° OF PROGRAMS	99			
CENTER-TO-CENTER DISTANCE BETWEEN FEET (mm)	752			PROGRAMMABLE COOKING STEPS	4			
<b>ELECTRICAL FEATURES</b>				PRE-HEATING TEMPERATURE	/			
				PRE-HEATING FUNCTION	PROGRAMMABLE			
POWER SUPPLY (kW)	10,5			DOOR	RIGHT SIDE OPENING			
FREQUENCY (Hz)	50/60				VENTILATED			
VOLTAGE (Volt)	AC 380/400 3N			MODULARITY	INSPECTIONABLE GLASS			
N° OF MOTORS	2 BIDIRECTIONAL				AVAILABLE			
RPM	2800			FEET	NOT ADJUSTABLE			
N° OF RESISTORS				<b>EQUIPMENT</b>				
				CIRC.	2 pcs	4 kW	LATERAL SUPPORTS	1 RIGHT + 1 LEFT
				TOP+GRILL	/	/	CABLE	THREE-PHASE [5G 2,5] - L=1300 mm
BOILER	/			MANUAL + AUTOMATIC WASHING SET UP				
LIMIT CONTROL	UNIPOLAR WITH MANUAL RESET			PLUG FOR CORE PROBE				
PROTECTION AGAINST WATER	IPX3			PC SERIAL PORT				
LIGHTING	NR. 1 HALOGEN LIGHT BULB (IN THE DOOR)			REMOVABLE DRIP BOX				
<b>PLUS</b>				<b>OPTIONAL</b>				
STAINLESS STEEL COOKING CHAMBER				CHROMED GRID 1/1 GN	COD. KG9G			
				AISI 304 VERTICAL CHICKEN COOKING PAN	COD. KGP			
DOOR WITH INSPECTIONABLE GLASS				AISI 304 TRAY 1/1 GN (530x325x40mm)	COD. KT9G			
ADJUSTABLE DOOR HINGES				TABLE	COD. EKT 711 – COD. EKTR 711 – COD. EKTS 711 – COD. EKTRS 711 – COD. EKT 711 D			
QUICK FASTENING OF LATERAL SUPPORTS				CONDENSATION HOOD	COD. EKCC6			
EMBEDDED GASKET				AIR REDUCER	COD. EKRP A			
STACKABLE				CORE PROBE	COD. EKSC			
FORCED COOLING SYSTEM OF INNER PARTS				CORE PROBE WITH SUPPORT	COD. EKSCS			
IPX 3				SELF-CLEANING AUTOMATIC SYSTEM	COD. KWT			
MANUAL+AUTOMATIC WASHING SET UP				SPRAY KIT WITH SUPPORT	COD. EKKD			
NEW DESIGN OF COOKING CHAMBER				SPARKLING AID	COD. KBRIL AND COD. KBRILMD			
CB CERTIFICATION				CLEANING FLUID	COD. KDET			

LEGEND

**STEAM**



A pipe sprays the water directly on moving fans.  
It's ideal for roast meat, fish and steamed vegetables.