



PROFESSIONAL  
THINKING

# PRODUCT SHEET EKF 423 D UD

TECNOEKA SRL - VIA MARCO POLO, 11 - 35010 BORGORICCO - PADOVA - ITALY - TEL. +39 049 5791479 +39 049 9300344 - FAX +39 049 5794387 - E-MAIL: INFO@TECNOEKA.COM - WWW.TECNOEKA.COM - WWW.TECNOEKA.RU

## EKF 423 D UD – DIGITAL ELECTRIC COMBI OVEN 4 TRAYS (429x345 mm)

EKA EVOLUTION LINE

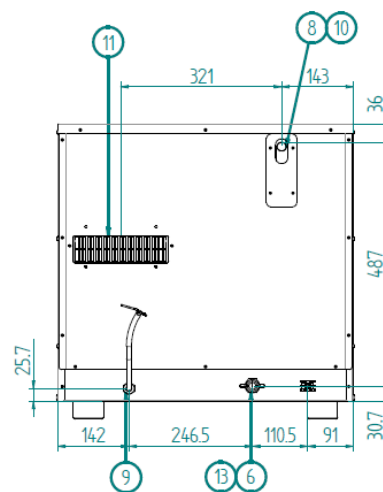
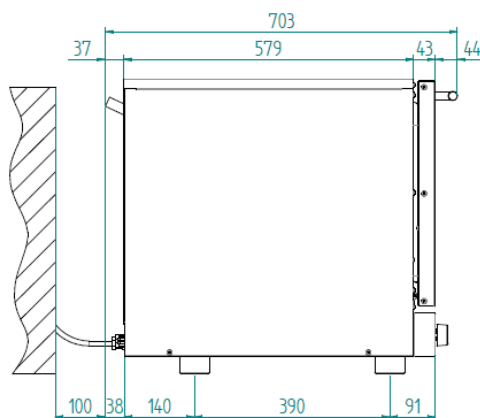
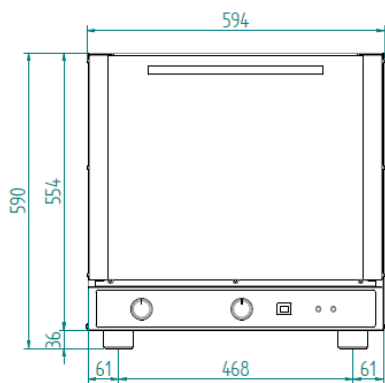
COOKING



The ideal solution for small food outlets and delicatessens requiring a functional product that comes in a space-saving package and delivers the peace of mind that comes from knowing you will satisfy even the most demanding customers.

You can reheat ready meals and prepare quick deli recipes easily and with intuitive programming thanks to the digital display with storage for 99 programs and 4 cooking options.

With the direct steam option, you get to enjoy unbeatable flexibility and ultimate freedom to customize.



LEGEND			
1	USB PORT	11	DON'T CLOG UP VENTILATION OPENINGS
2	SERIAL PORT	12	WATER INLET MAX. 200 kPa
3	PLUG FOR CORE PROBE	13	SOFTENED WATER INLET MAX 200 kPa
4	WATER OUTLET TUBE	14	BOILER CLEANING INLET
5	WASHING WATER INLET	15	DON'T OPEN CAP WHILE WORKING
6	SOFTENED WATER INLET	16	GAS INLET THREADED JOINT 3/4"
7	WATER INLET	17	POWER SUPPLY TO TOP OVEN
8	STEAM OUTLET	18	PRE-CARVED HOLE FOR BOTTOM OVEN POWER SUPPLY
9	ELECTRIC CABLE FIXER	19	STEAM SUCTION PIPE
10	CAUTION! HOT SURFACE		






**PROFESSIONAL  
THINKING**

# PRODUCT SHEET EKF 423 D UD

TECNOEKA SRL - VIA MARCO POLO, 11 - 35010 BORGORICCO - PADOVA - ITALY - TEL. +39 049 5791479 +39 049 9300344 - FAX +39 049 5794387 - E-MAIL: INFO@TECNOEKA.COM - WWW.TECNOEKA.COM - WWW.TECNOEKA.RU

DIMENSIONAL FEATURES				FUNCTIONAL FEATURES	
<b>DIMENSIONS</b>	<b>W</b>	<b>D</b>	<b>H</b>	<b>POWER</b>	<b>ELECTRICITY</b>
OVEN DIMENSIONS (mm)	590	695	590	CAPACITY	N° 4 TRAYS/GRIDS (429x345 mm)
CARDBOARD BOX DIMENSIONS WITH PALLET (WxDxH mm)	680	760	600	TYPE OF COOKING	VENTILATED
OVEN DIMENSIONS (inches)	23,22	27,36	23,22	STEAM (see legend)	DIRECT STEAM CONTROLLED BY DIGITAL PANEL (10 LEVELS)
CARDBOARD BOX DIMENSIONS WITH PALLET (inches)	26,77	29,92	23,62	COOKING CHAMBER	AISI 304 STAINLESS STEEL
OVEN WEIGHT (kg)	38			WATER OUTLET	/
PACKED OVEN WEIGHT (kg)	42,8			STEAM OUTLET	DIRECT
OVEN WEIGHT (lbs)	83,77			TEMPERATURE	50 ± 270°C
PACKED OVEN WEIGHT (lbs)	94,35			TEMPERATURE CONTROL	DIGITAL PROBE THERMOMETER
DISTANCE BETWEEN RACK RAILS (mm)	74			CONTROL PANEL	DIGITAL – LOWER SIDE
FAN DIMENSION (mm)	Ø 160 - NR. 30 BLADES			N° OF PROGRAMS	99
CENTER-TO-CENTER DISTANCE BETWEEN FEET (mm)	468			PROGRAMMABLE COOKING STEPS	4
				PRE-HEATING TEMPERATURE	180°C
<b>ELECTRICAL FEATURES</b>				PRE-HEATING FUNCTION	AVAILABLE ONLY IN "PROGRAM MODE"
POWER SUPPLY (kW)	2,9			DOOR	TILT DOOR
FREQUENCY (Hz)	50/60				VENTILATED
VOLTAGE (Volt)	AC 220/230				INSPECTIONABLE GLASS
N° OF MOTORS	1 BIDIRECTIONAL			MODULARITY	AVAILABLE
RPM	2800			FEET	NOT ADJUSTABLE
				<b>EQUIPMENT</b>	
N° OF RESISTORS	CIRC.	1 pcs	2,7 kW	LATERAL SUPPORTS	1RIGHT + 1LEFT
	TOP+GRILL	/	/	ALUMINIUM TRAYS (429x345 mm)	4 pcs
	SOLE	/	/	CABLE	SINGLE-PHASE [3G 1,5] - L=1350 mm
BOILER	/			<b>OPTIONAL</b>	
LIMIT CONTROL	BIPOLAR WITH MANUAL RESET			AISI 430 ADAPTER KIT 2/3 GN (354x325 mm)	COD. KPG23
PROTECTION AGAINST WATER	IPX3			ALUMINIUM TRAY (429x345x9 mm)	COD. KV7
LIGHTING	NR. 1 INCANDESCENT LIGHT BULB (IN THE COOKING CHAMBER)			HORIZONTAL CHROMED GRID (435x340 mm)	COD. KG7
<b>PLUS</b>				AISI 304 HORIZONTAL CHROMED GRID (435x340 mm)	COD. KG7X
STAINLESS STEEL COOKING CHAMBER	AISI 304 HORIZONTAL CHROMED GRID (435x340 mm)			PERFORATED ALUMINIUM TRAY (435x345x10 mm)	COD. KTF6P
DOOR WITH INSPECTIONABLE GLASS	NEW DESIGN OF COOKING CHAMBER			TABLE	COD. EKT 423 – COD. EKTR 423 – COD. EKTS 423 – COD. EKTRS 423 – COD. EKT 423 D
EMBEDDED GASKET	NEW DESIGN OF HANDLE			PROOFER	COD. EKL 823
STACKABLE	CB CERTIFICATION			WATER TANK LT. 7	COD. EKSA
FORCED COOLING SYSTEM OF INNER PARTS				PUMP KIT WITH HOSE AND FILTER	COD. KKPU
				AIR REDUCER	COD. EKSPA
				OPTIONAL PACKAGING	COD. 01300731 CAGE COD. 01300280 PALLET (800x1200x118 mm)

LEGEND

STEAM	
	<p>A pipe sprays the water directly on moving fans. It's ideal for roast meat, fish and steamed vegetables.</p>

