



PROFESSIONAL  
THINKING

# PRODUCT SHEET EKF 411 D AL UD

TECNOEKA SRL - VIA MARCO POLO, 11 - 35010 BORGORICCO - PADOVA - ITALY - TEL. +39 049 5791479 +39 049 9300344 - FAX +39 049 5794387 - E-MAIL: INFO@TECNOEKA.COM - WWW.TECNOEKA.COM - WWW.TECNOEKA.RU

## EKF 411 D AL UD – DIGITAL ELECTRIC COMBI OVEN 4 TRAYS/GRIDS 1/1 GN

EKA EVOLUTION LINE

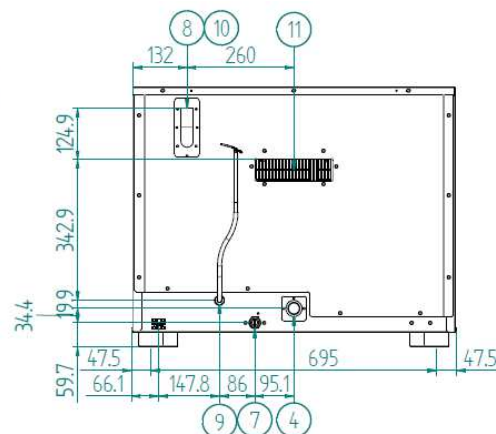
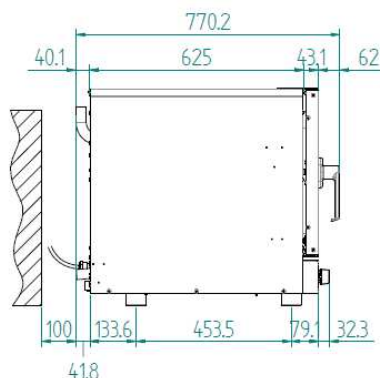
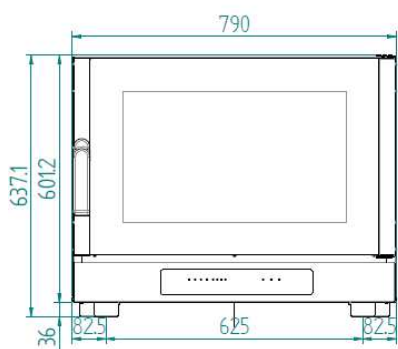
COOKING



Suitable for all small food outlets wanting to turn out products cooked to perfection every time.

Whether cooking ready meals or preparing ratatouille, vegetable sides and quick deli recipes, the direct steam option caters to your every cooking need.

With its 99 programs, the digital control panel makes 4-stage cooking straightforward and intuitive. The practical side opening, makes cleaning the cooking chamber quick and simple, while also making it easier to remove pans.



LEGEND

1	USB PORT	11	DON'T CLOG UP VENTILATION OPENINGS
2	SERIAL PORT	12	WATER INLET MAX. 200 kPa
3	PLUG FOR CORE PROBE	13	SOFTENED WATER INLET MAX 200 kPa
4	WATER OUTLET TUBE	14	BOILER CLEANING INLET
5	WASHING WATER INLET	15	DON'T OPEN CAP WHILE WORKING
6	SOFTENED WATER INLET	16	GAS INLET THREADED JOINT 3/4"
7	WATER INLET	17	POWER SUPPLY TO TOP OVEN
8	STEAM OUTLET	18	PRE-CARVED HOLE FOR BOTTOM OVEN POWER SUPPLY
9	ELECTRIC CABLE FIXER	19	STEAM SUCTION PIPE
10	CAUTION! HOT SURFACE		





**PROFESSIONAL  
THINKING**

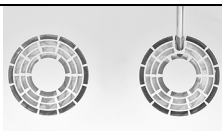
# PRODUCT SHEET EKF 411 D AL UD

TECNOEKA SRL - VIA MARCO POLO, 11 - 35010 BORGORICCO - PADOVA - ITALY - TEL. +39 049 5791479 +39 049 9300344 - FAX +39 049 5794387 - E-MAIL: INFO@TECNOEKA.COM - WWW.TECNOEKA.COM - WWW.TECNOEKA.RU

DIMENSIONAL FEATURES				FUNCTIONAL FEATURES	
DIMENSIONS	W	D	H	POWER	ELECTRICITY
OVEN DIMENSIONS (mm)	790	785	635	CAPACITY	N° 4 TRAYS/GRIDS 1/1 GN
CARDBOARD BOX DIMENSIONS WITH PALLET (WxDxH mm)	805	830	800	TYPE OF COOKING	VENTILATED
OVEN DIMENSIONS (inches)	31,10	30,90	25	STEAM (see legend)	DIRECT STEAM CONTROLLED BY DIGITAL PANEL (10 LEVELS)
CARDBOARD BOX DIMENSIONS WITH PALLET (inches)	31,69	32,67	31,49	COOKING CHAMBER	AISI 304 STAINLESS STEEL
OVEN WEIGHT (kg)	56,2			WATER OUTLET	Ø 30mm TUBE
PACKED OVEN WEIGHT (kg)	66,4			STEAM OUTLET	DIRECT
OVEN WEIGHT (lbs)	123,45			TEMPERATURE	50 ± 270°C
PACKED OVEN WEIGHT (lbs)	146,38			TEMPERATURE CONTROL	DIGITAL PROBE THERMOMETER
DISTANCE BETWEEN RACK RAILS (mm)	73			CONTROL PANEL	DIGITAL – LOWER SIDE
FAN DIMENSION (mm)	Ø 200 - NR. 38 BLADES			N° OF PROGRAMS	99
CENTER-TO-CENTER DISTANCE BETWEEN FEET (mm)	625 (FRONT) – 695 (BACK)			PROGRAMMABLE COOKING STEPS	4
<b>ELECTRICAL FEATURES</b>				PRE-HEATING TEMPERATURE	180°C
				PRE-HEATING FUNCTION	AVAILABLE ONLY IN "PROGRAM MODE"
POWER SUPPLY (kW)	6,4			DOOR	RIGHT SIDE OPENING
FREQUENCY (Hz)	50/60				VENTILATED
VOLTAGE (Volt)	AC 380/400 2N				INSPECTIONABLE GLASS
N° OF MOTORS	2 BIDIRECTIONAL			MODULARITY	AVAILABLE
RPM	2800			FEET	NOT ADJUSTABLE
				<b>EQUIPMENT</b>	
N° OF RESISTORS	CIRC.	2 pcs	3 kW	LATERAL SUPPORTS	1 RIGHT + 1 LEFT
	TOP+GRILL	/	/	CABLE	TWO-PHASE [4G 2,5] - L=1350 mm
	SOLE	/	/	PLUG FOR CORE PROBE	
BOILER	/			MANUAL WASHING SET UP	
LIMIT CONTROL	UNIPOLAR WITH MANUAL RESET			<b>OPTIONAL</b>	
PROTECTION AGAINST WATER	IPX3			CHROMED GRID 1/1 GN	COD. KG9G
LIGHTING	NR.1 HALOGEN LIGHT BULB (IN THE COOKING CHAMBER)			AISI 304 VERTICAL CHICKEN COOKING PAN	COD.KGP
<b>PLUS</b>				AISI 304 TRAY 1/1 GN (530x325x40 mm)	COD. KT9G
STAINLESS STEEL COOKING CHAMBER				TABLE	COD. EKT 411 – COD. EKTR 411- COD. EKTS 411 – COD. EKTRS 411 – COD. EKT 411 D
DOOR WITH INSPECTIONABLE GLASS				CONDENSATION HOOD	COD. EKKC4
QUICK FASTENING OF LATERAL SUPPORTS				SPRAY KIT WITH SUPPORT	COD. EKKD
EMBEDDED GASKET				CORE PROBE	COD. EKSC
STACKABLE				CORE PROBE WITH SUPPORT	COD. EKSCS
FORCED COOLING SYSTEM OF INNER PARTS				AIR REDUCER	COD. EKRPA
IPX 3				WATER TANK LT. 7	COD. EKSA
MANUAL WASHING SET UP				PUMP KIT WITH HOSE AND FILTER	COD. KKPU
NEW DESIGN OF COOKING CHAMBER					
CB CERTIFICATION					

## LEGEND

### STEAM



A pipe sprays the water directly on moving fans. It's ideal for roast meat, fish and steamed vegetables.

