



**PROFESSIONAL
THINKING**

PRODUCT SHEET EKF 311 D UD

TECNOEKA SRL - VIA MARCO POLO, 11 - 35010 BORGORICCO - PADOVA - ITALY - TEL. +39 049 5791479 +39 049 9300344 - FAX +39 049 5794387 - E-MAIL: INFO@TECNOEKA.COM - WWW.TECNOEKA.COM - WWW.TECNOEKA.RU

EKF 311 D UD – DIGITAL ELECTRIC COMBI OVEN 3 TRAYS/GRIDS 1/1 GN

EKA EVOLUTION LINE

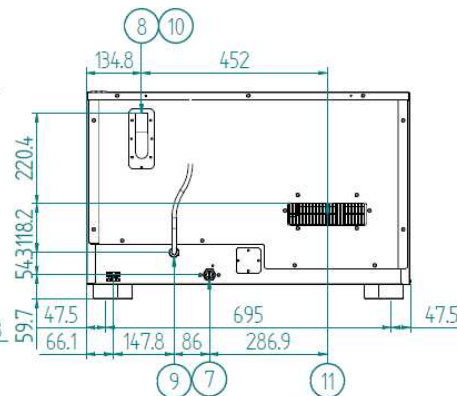
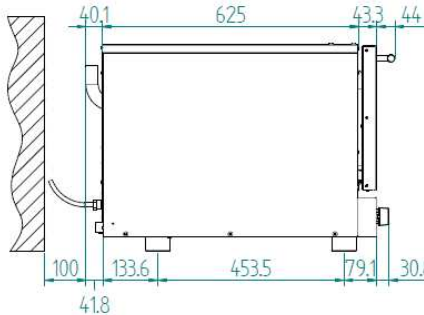
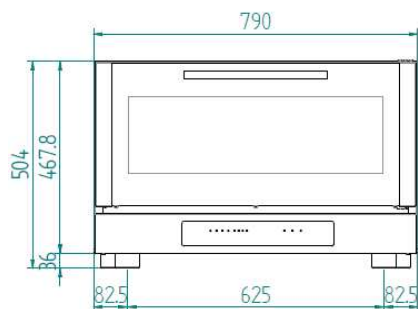
COOKING



Designed for small food outlets who want to provide customers with ready meals or prepare quick deli recipes using a product that packs innovative features into a compact design.

The digital display with storage for 99 programs and 4 cooking options gives you the utmost freedom when it comes to managing your recipes.

The programmable delayed start feature means you can decide beforehand what time you want to cook your dishes, further customizing the cooking process with the direct steam option.



LEGEND

1	USB PORT	11	DON'T CLOG UP VENTILATION OPENINGS
2	SERIAL PORT	12	WATER INLET MAX. 200 kPa
3	PLUG FOR CORE PROBE	13	SOFTENED WATER INLET MAX 200 kPa
4	WATER OUTLET TUBE	14	BOILER CLEANING INLET
5	WASHING WATER INLET	15	DON'T OPEN CAP WHILE WORKING
6	SOFTENED WATER INLET	16	GAS INLET THREADED JOINT 3/4"
7	WATER INLET	17	POWER SUPPLY TO TOP OVEN
8	STEAM OUTLET	18	PRE-CARVED HOLE FOR BOTTOM OVEN POWER SUPPLY
9	ELECTRIC CABLE FIXER	19	STEAM SUCTION PIPE
10	CAUTION! HOT SURFACE		





**PROFESSIONAL
THINKING**

PRODUCT SHEET EKF 311 D UD

TECNOEKA SRL - VIA MARCO POLO, 11 - 35010 BORGORICCO - PADOVA - ITALY - TEL. +39 049 5791479 +39 049 9300344 - FAX +39 049 5794387 - E-MAIL: INFO@TECNOEKA.COM - WWW.TECNOEKA.COM - WWW.TECNOEKA.RU

DIMENSIONAL FEATURES				FUNCTIONAL FEATURES	
DIMENSIONS	W	D	H	POWER	ELECTRICITY
OVEN DIMENSIONS (mm)	790	750	505	CAPACITY	N° 3 TRAYS/GRIDS 1/1 GN
CARDBOARD BOX DIMENSIONS WITH PALLET (WxDxH mm)	805	830	670	TYPE OF COOKING	VENTILATED
OVEN DIMENSIONS (inches)	31,10	29,52	19,88	STEAM (see legend)	DIRECT STEAM CONTROLLED BY DIGITAL PANEL (10 LEVELS)
CARDBOARD BOX DIMENSIONS WITH PALLET (inches)	31,69	32,67	26,37	COOKING CHAMBER	AISI 304 STAINLESS STEEL
OVEN WEIGHT (kg)	44			WATER OUTLET	/
PACKED OVEN WEIGHT (kg)	54,4			STEAM OUTLET	DIRECT
OVEN WEIGHT (lbs)	97,00			TEMPERATURE	50 ± 270°C
PACKED OVEN WEIGHT (lbs)	119,93			TEMPERATURE CONTROL	DIGITAL PROBE THERMOMETER
DISTANCE BETWEEN RACK RAILS (mm)	70			CONTROL PANEL	DIGITAL – LOWER SIDE
FAN DIMENSION (mm)	Ø 200 - NR. 38 BLADES			N° OF PROGRAMS	99
CENTER-TO-CENTER DISTANCE BETWEEN FEET (mm)	625 (FRONT) – 695 (BACK)			PROGRAMMABLE COOKING STEPS	4
				PRE-HEATING TEMPERATURE	180°C
ELECTRICAL FEATURES				PRE-HEATING FUNCTION	AVAILABLE ONLY IN "PROGRAM MODE"
				DOOR	TILT DOOR
POWER SUPPLY (KW)	3,7				VENTILATED
FREQUENCY (Hz)	50/60				INSPECTIONABLE GLASS
VOLTAGE (Volt)	AC 220/230			MODULARITY	AVAILABLE
N° OF MOTORS	1 BIDIRECTIONAL			RUBBER FEET	NOT ADJUSTABLE
RPM	2800			EQUIPMENT	
N° OF RESISTORS	CIRC.	1 pcs	3,5 kW	LATERAL SUPPORTS	1 RIGHT + 1 LEFT
	TOP+GRILL	/	/	CABLE	SINGLE-PHASE [3G 1,5] - L=1350 mm
	SOLE	/	/		
BOILER	/			OPTIONAL	
LIMIT CONTROL	UNIPOLAR WITH MANUAL RESET			CHROMED GRID 1/1 GN	COD. KG9G
PROTECTION AGAINST WATER	IPX 3			AISI 304 VERTICAL CHICKEN COOKING PAN	COD.KGP
LIGHTING	NR.1 HALOGEN LIGHT BULB (IN THE COOKING CHAMBER)			AISI 304 TRAY 1/1 GN (530x325x40 mm)	COD. KT9G
PLUS				TABLE	COD. EKT 411 – COD. EKTR 411 COD. EKTS 411 – COD. EKTRS 411 – COD. EKT 411 D
STAINLESS STEEL COOKING CHAMBER				AIR REDUCER	COD. EKRP A
DOOR WITH INSPECTIONABLE GLASS				WATER TANK LT. 7	COD. EKSA
EMBEDDED GASKET				PUMP KIT WITH HOSE AND FILTER	COD. KKPU
STACKABLE					
FORCED COOLING SYSTEM OF INNER PARTS					
IPX 3					
MANUAL WASHING SET UP					
NEW DESIGN OF COOKING CHAMBER					
CB CERTIFICATION					
HANDLE WITH NEW AESTHETIC AND MODERN STYLE					

LEGEND

STEAM



A pipe sprays the water directly on moving fans.
It's ideal for roast meat, fish and steamed vegetables.

